

BP432BX



BP432BX AC/DC

BP432BX Adaptive COT

1.25 V 3.3 V 70 kHz
CCM DCM

BP432BX
FB

BP432BC /14 V BP432BD /23
V

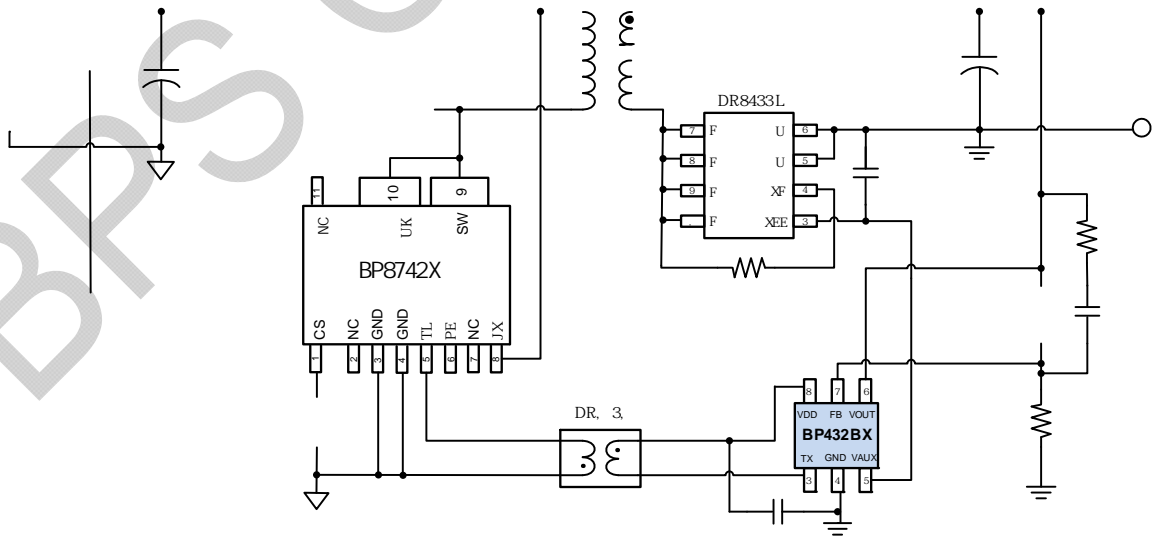
BP432BX SOT23-6



SOT23-6

-
- 1.25 V
- Adaptive COT
-
-
- CCM DCM
-
-
-
-
-
- FB
-

- QC / USB PD / AC/DC
-
- AC/DC



1. BP432BX

BPS Confide

BPS Confidential