

Description

BP2364XN is a high precision non-isolated APFC buck LED driver, specially designed for universal mains with constant current control. BP2364XN operates in Critical Conduction Mode to reduce the switching loss and optimize the EMI.

BP2364XN remove the VCC capacitor, COMP capacitor and R_{CS} resistor to simplify the external BOM. And it utilizes specific current detection with four current sense transistors to achieve high precision output current, excellent line regulation and load regulation.

BP2364XN offers full of protection function to improve the system reliability, including LED load short protection. The system reliability is further improved by the current sense resistor monitoring. All protection mechanism reduced the power dissipation in condition of over temperature.

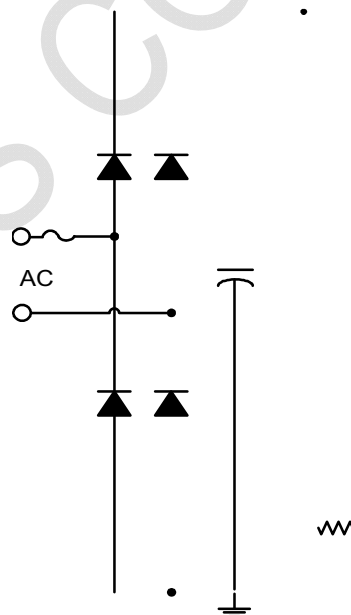
Features

- Active-PFC for High PF and Low THD
- No VCC and COMP capacitor
- Critical Conduction Mode Operation
- Short Protection
- (OVP resistor ADJ)
- Switch Cooldown Enable function is compatible with and sensor light
- Cycle by Cycle Current Limit
- Thermal Regulation Function
- Available in ASOP8 Package

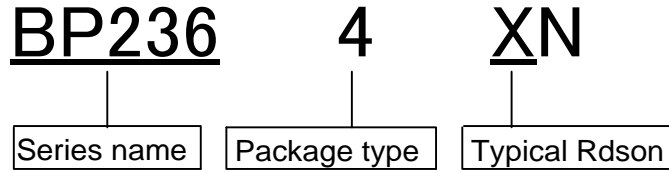
Applications

- LED Bulb
- LED Tube
- Other LED Light

Typical Application



Naming rules



Ordering Information

Part Number	Package	Packaging	Marking
BP2364XN	ASOP8	Tape 5,000 pcs/Reel	BP2364 XXXXYN 7777X

Pin Configuration and Marking Information

DR

Disclaimer

The information provided in this datasheet is believed to be accurate and reliable. However, Bright Power Semiconductor (BPS) reserves the right to change the specifications at any time without notice. BPS provides information in this datasheet "AS IS" and with all faults and no warranty, expressed or implied, including but not limited to the accuracy of the information provided in this datasheet or its suitability for use for a specific purpose, or non-infringement of intellectual property rights of BPS or any other third party. BPS shall not be liable for any damages, including consequential or incidental damages.